

Floodlights

# INTEGRA L



CLASSE I (Classe II su richiesta)

Supply

Available on request Dimmer, DALI or DALI 2 versions.  
 Input voltage 220 - 240V AC 50/60Hz.  
 Temperature -40° +45°

Installation

Wall and ceiling

Applications

Commercial areas, parkings, sports facilities, production areas etc.

Size (mm)

271x 390x 55

Colour

Dark grey RAL 7015

Decay of the luminous flux

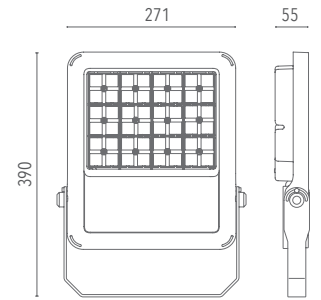
≥100.000 hr L90B10

MATERIALS

- Body:** Die cast aluminium alloy UNI EN 46100.  
Protection against the corrosion with epoxy primer + polyester painting resistant to salty mist
- Bracket:** Galvanized iron and goniometer with anti-rotation lock (optional painted RAL7015)
- Cable gland:** In metal
- Colour:** Grey RAL7015
- Lenses:** Optic PC
- Screen:** Tempered extra clear 5 mm glass, resistant to thermal shocks and impacts.
- External screws:** Stainless steel AISI 304

TENDER SPECIFICATIONS

Die cast aluminium alloy UNI EN 46100. First layer in epoxy primer + painting with polyester powder resistant to the saline mist, stabilized to UV rays, UV Class I. Equipped with a bracket in galvanized iron with goniometer and antirotation block. Screws in stainless steel AISI 304. Extra clear tempered glass, sodium-calcium type 5 mm, resistant to thermal shocks and impacts, guaranteed transparency 93%. Silicone gaskets. Integrated driver On/Off, with the voltage 220-240 Vac 50/60 Hz (Versions available on request: Dimmer, DALI, DALI2, D4i, DMX). Optical group 48 LED. Colour rendering index CRI80 (available upon request CRI 70, CRI90). Colour temperature 4000K (available 2700K, 3000K, 5000K, 5700K). MacAdam ellipses (Standard Deviation Colour Matching): 3. Protected against mechanical impacts equal to 10 Joule IK09, ROHS approval, IP66, CE conformity, lighting fitting in CL I (available upon request in CL II).  
 European mark of high quality ENEC.  
 Luminous efficiency LED: 180l/W<sub>Ta</sub>=25°C. Group of photobiological risk: RG0 (lighting fittings non presenting photobiological risks according to the Norm EN62471. Require from the manufacturer the distance from the observation point, if necessary). Working temperature: - 40°C + 45°C. Optical group lifetime: L90B10. Warranty: 5 years.



Exposed surface

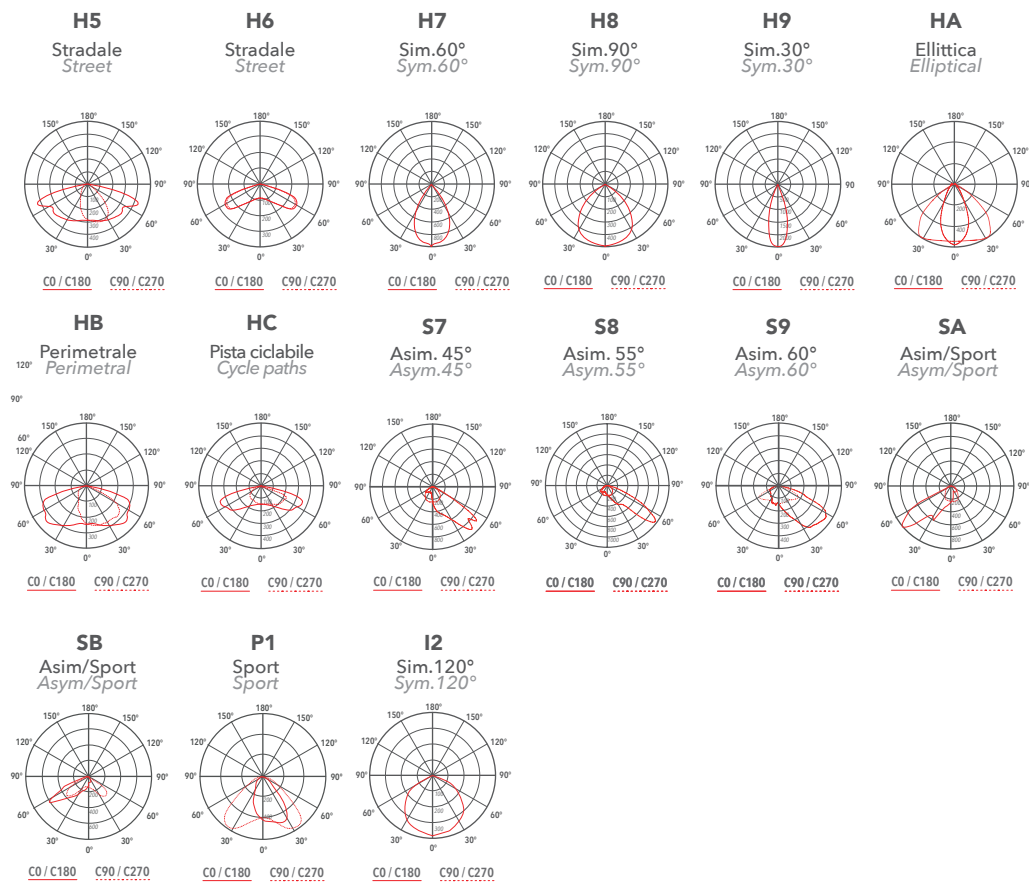
Front surface 0.08 m2  
 Lateral surface 0.02 m2

Lanzini indica sui cataloghi il flusso luminoso uscente dell'apparecchio con una tolleranza ±10% rispetto al valore indicato. I W totali indicano la potenza totale assorbita dal sistema LED + alimentatore che non superi il 10% del valore indicato.

**Optical group**

PCBA 48 LED size 5050  
 CRI ≥ 80, available CRI70, CRI90  
 4000K, available 2700K, 3000K, 5000K  
 MacAdam ellipses (Standard Deviation Colour Matching): 3  
 Lighting efficiency LED: 180 l/w Ta=25°C

**Photometric curves**



Code	Source	Power	Lm (Output)	Lm (Tc=25°)	Temperature	CRI	Beams	Colour	Control
<b>LOINL40H5BL40160</b>	LED	160W	20515lm	28800 lm	4000 K	>80	H5	Dark grey	-
<b>LOINL40H5DI40160</b>	LED	160W	20515lm	28800 lm	4000 K	>80	H5	Dark grey	Dimmer
<b>LOINL40H5DA40160</b>	LED	160W	20515lm	28800 lm	4000 K	>80	H5	Dark grey	DALI
<b>LOINL40H6BL40160</b>	LED	160W	19784lm	28800 lm	4000 K	>80	H6	Dark grey	-
<b>LOINL40H6DI40160</b>	LED	160W	19784lm	28800 lm	4000 K	>80	H6	Dark grey	Dimmer
<b>LOINL40H6DA40160</b>	LED	160W	19784lm	28800 lm	4000 K	>80	H6	Dark grey	DALI
<b>LOINL40H7BL40160</b>	LED	160W	22876lm	28800 lm	4000 K	>80	H7	Dark grey	-
<b>LOINL40H7DI40160</b>	LED	160W	22876lm	28800 lm	4000 K	>80	H7	Dark grey	Dimmer
<b>LOINL40H7DA40160</b>	LED	160W	22876lm	28800 lm	4000 K	>80	H7	Dark grey	DALI
<b>LOINL40H8BL40160</b>	LED	160W	22473lm	28800 lm	4000 K	>80	H8	Dark grey	-
<b>LOINL40H8DI40160</b>	LED	160W	22473lm	28800 lm	4000 K	>80	H8	Dark grey	Dimmer
<b>LOINL40H8DA40160</b>	LED	160W	22473lm	28800 lm	4000 K	>80	H8	Dark grey	DALI

Lanzini indica sui cataloghi il flusso luminoso uscente dell'apparecchio con una tolleranza ±10% rispetto al valore indicato. I W totali indicano la potenza totale assorbita dal sistema LED + alimentatore che non superi il 10% del valore indicato.

<b>LOINL40H9BL40160</b>	LED	160W	23108lm	28800 lm	4000 K	>80	H9	Dark grey	-
<b>LOINL40H9DI40160</b>	LED	160W	23108lm	28800 lm	4000 K	>80	H9	Dark grey	Dimmer
<b>LOINL40H9DA40160</b>	LED	160W	23108lm	28800 lm	4000 K	>80	H9	Dark grey	DALI
<b>LOINL40HABL40160</b>	LED	160W	22566lm	28800 lm	4000 K	>80	HA	Dark grey	-
<b>LOINL40HAD140160</b>	LED	160W	22566lm	28800 lm	4000 K	>80	HA	Dark grey	Dimmer
<b>LOINL40HADA40160</b>	LED	160W	22566lm	28800 lm	4000 K	>80	HA	Dark grey	DALI
<b>LOINL40HBBL40160</b>	LED	160W	20307lm	28800 lm	4000 K	>80	HB	Dark grey	-
<b>LOINL40HBD140160</b>	LED	160W	20307lm	28800 lm	4000 K	>80	HB	Dark grey	Dimmer
<b>LOINL40HBDA40160</b>	LED	160W	20307lm	28800 lm	4000 K	>80	HB	Dark grey	DALI
<b>LOINL40HCBL40160</b>	LED	160W	18354lm	28800 lm	4000 K	>80	HC	Dark grey	-
<b>LOINL40HCD140160</b>	LED	160W	18354lm	28800 lm	4000 K	>80	HC	Dark grey	Dimmer
<b>LOINL40HCDA40160</b>	LED	160W	18354lm	28800 lm	4000 K	>80	HC	Dark grey	DALI
<b>LOINL40S7BL40160</b>	LED	160W	21708lm	28800 lm	4000 K	>80	S7	Dark grey	-
<b>LOINL40S7DI40160</b>	LED	160W	21708lm	28800 lm	4000 K	>80	S7	Dark grey	Dimmer
<b>LOINL40S7DA40160</b>	LED	160W	21708lm	28800 lm	4000 K	>80	S7	Dark grey	DALI
<b>LOINL40S8BL40160</b>	LED	160W	18545lm	28800 lm	4000 K	>80	S8	Dark grey	-
<b>LOINL40S8DI40160</b>	LED	160W	18545lm	28800 lm	4000 K	>80	S8	Dark grey	Dimmer
<b>LOINL40S8DA40160</b>	LED	160W	18545lm	28800 lm	4000 K	>80	S8	Dark grey	DALI
<b>LOINL40S9BL40160</b>	LED	160W	19170lm	28800 lm	4000 K	>80	S9	Dark grey	-
<b>LOINL40S9DI40160</b>	LED	160W	19170lm	28800 lm	4000 K	>80	S9	Dark grey	Dimmer
<b>LOINL40S9DA40160</b>	LED	160W	19170lm	28800 lm	4000 K	>80	S9	Dark grey	DALI
<b>LOINL40SABL40160</b>	LED	160W	21188lm	28800 lm	4000 K	>80	SA	Dark grey	-
<b>LOINL40SADI40160</b>	LED	160W	21188lm	28800 lm	4000 K	>80	SA	Dark grey	Dimmer
<b>LOINL40SADA40160</b>	LED	160W	21188lm	28800 lm	4000 K	>80	SA	Dark grey	DALI
<b>LOINL40SBBL40160</b>	LED	160W	22048lm	28800 lm	4000 K	>80	SB	Dark grey	-
<b>LOINL40SBD140160</b>	LED	160W	22048lm	28800 lm	4000 K	>80	SB	Dark grey	Dimmer
<b>LOINL40SBDA40160</b>	LED	160W	22048lm	28800 lm	4000 K	>80	SB	Dark grey	DALI

## Accessories



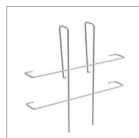
Fast connector IP  
2 poles  
LKITA00000000017



Fast connector IP  
3 poles  
LKITA00000000003



Pole connection B  
LKITA00000040109



IK10 protection  
grid kit  
LKITA00000000211



Laser pointer  
support kit  
LKITA00000000093

Lanzini indica sui cataloghi il flusso luminoso uscente dell'apparecchio con una tolleranza  $\pm 10\%$  rispetto al valore indicato. I W totali indicano la potenza totale assorbita dal sistema LED + alimentatore che non superi il 10% del valore indicato.